

Motion to Approve Zoning Map Amendment F-1597 and  
Statement of Consistency with Comprehensive Plan

I move that Zoning Map Amendment F-1597, including site plan and special use district, be **approved** on the basis of the following:

The proposed special use zoning map amendment, as petitioned by E.M. Leight Heirs, to rezone a 97.01-acre piece of property from AG to RS40-S (Residential Building, Single Family, and Planned Residential Development) is consistent with the recommendations of the Legacy Comprehensive Plan and reasonable or in the public interest because

1. The subject property is an undeveloped, heavily wooded tract adjacent to Belews Lake, straddling the Forsyth County/Guilford County border, and the subject property is surrounded by property zoned AG;
2. The proposed RS40-S zoning is intended to accommodate large-lot, single-family houses in areas without access to sewer, and several large-lot residential subdivisions in the immediate vicinity of Belews Lake have similar zoning;
3. The proposed use and site plan feature the construction of 109 large-lot single-family houses, of which 76 are fully located in Forsyth County, with a density of approximately 0.78 houses per acre, which would be a consistent use to nearby residential neighborhoods;
4. The subject property would not have access to sewer, but would have access to public water from the Town of Stokesdale; and
5. The subject property is located in GMA 5, which is suitable for RS40-S zoning.

Second:

Vote:

**FORSYTH COUNTY**  
**BOARD OF COMMISSIONERS**

**BRIEFING DRAFT**

**MEETING DATE:** December 3, 2020      **AGENDA ITEM NUMBER:** 2A- 2D

**SUBJECT:**

- A. Public Hearing on Zoning Petition of E.M. Leight Heirs from AG to RS40-S (Residential Building, Single Family and Planned Residential Development): Property is Located on the East Side of Belews Lake and North of Van Hoy Road (Zoning Docket F-1597)**
- B. Ordinance Amending the Unified Development Ordinances and Official Zoning Map of the County of Forsyth, North Carolina**
- C. Approval of Special Use District Permit**
- D. Approval of Site Plan**

**COUNTY MANAGER'S RECOMMENDATION OR COMMENTS:**

**SUMMARY OF INFORMATION:-**

See attached staff report.

After consideration, the Planning Board recommended approval of the rezoning petition.

**ATTACHMENTS:-**      X   YES           NO

**SIGNATURE:** \_\_\_\_\_  
County Manager

**DATE:** \_\_\_\_\_

COUNTY ORDINANCE - SPECIAL USE

Zoning Petition of E.M. Leight Heirs, Docket F-1597

AN ORDINANCE AMENDING  
THE FORSYTH COUNTY  
ZONING ORDINANCE AND THE  
OFFICIAL ZONING MAP OF  
THE COUNTY OF FORSYTH,  
NORTH CAROLINA

---

BE IT ORDAINED by the Board of County Commissioners of the County of Forsyth as follows:

Section 1. The Zoning Ordinance of the *Unified Development Ordinances* of the County of Forsyth, North Carolina, and the Official Zoning Map of the County of Forsyth, North Carolina, are hereby amended by changing from AG to RS40-S (Residential Building, Single Family and Planned Residential Development) the zoning classification of the following described property:

Tract A:

Beginning at a point on the northwest corner of Lot 8, Bentrige Forest, PIN #6899-48-1722, as recorded in Plat Book 172, page 27 in the Guilford County Registry. Said point having a NCGS NAD 83 coordinates of N=898,828.0077 and E=1,693,889.8391. Thence from said point of beginning and along the northern line of Vivian Fagg heirs, PIN #6899-27-8481, as recorded in deed book 618, page 406 in the Forsyth County Registry, N87°49'55"W, 425.83 feet to a point on the northeast corner of Bill F. Norman property, PIN #6899-38-2288, as recorded in deed book 3048, page 3429; Thence with said Norman property, N87°49'55"W, 584.69 feet to a point on the northeast corner of Christine E. Ryals property, PIN #6899-28-7332, as recorded in deed book 2372, page 1465; Thence with said Ryals property, N87°49'55"W, 535.54 feet to a point on the northeastern corner of Douglas C. Murray property, PIN #6899-28-2798, as recorded in deed book 2492, page 1177; Thence with said Murray property, N87°49'55"W, 41.88 feet to the southeast corner of Duke Power Company, PIN #6990-32-1050, as recorded in deed book 1006, page 170; Thence with the lines of Duke Power Company, following the edge of Belews Lake, the following courses and distances: N18°42'57"W, 65.45 feet; Thence N41°11'43"E, 56.59 feet; Thence N49°35'10"E, 84.41 feet; Thence N04°12'58"W, 93.95 feet; Thence N09°09'54"E, 104.18 feet; Thence S85°39'20"E, 102.06 feet; Thence N88°56'02"E, 130.64 feet; Thence S73°48'50"E, 74.65 feet; Thence N21°23'01"W, 64.29 feet; Thence N08°45'22"E, 53.11 feet; Thence S85°16'59"W, 74.39 feet; Thence N82°42'39"W, 82.55 feet; Thence N34°36'36"W, 97.62 feet; Thence S84°36'19"E, 61.89 feet; Thence N63°02'34"E, 132.30 feet; Thence S88°37'42"W, 102.71 feet; Thence S89°20'47"W, 92.41 feet; Thence N26°49'15"W, 94.66 feet; Thence N17°20'03"W, 208.58 feet; Thence N78°10'04"E, 135.58 feet; Thence N01°11'04"E, 46.84 feet; Thence N31°23'02"W, 161.79 feet; N12°34'56"E, 145.28 feet; Thence N45°05'23"E, 83.06 feet; Thence N14°05'04"E, 76.35 feet; Thence N30°53'38"E, 132.24 feet; Thence N31°32'53"E, 151.56 feet; Thence N18°03'50"W, 68.53 feet; thence N17°21'13"E, 93.81 feet; Thence N81°01'14"W, 63.25 feet; Thence N54°19'24"W, 104.25 feet; Thence

N44°21'46"W, 117.99 feet; Thence N19°51'44"E, 114.17 feet; Thence N39°01'54"E, 137.61 feet; Thence N48°21'08"E, 142.69 feet; Thence N21°28'58"E, 167.10 feet; Thence N38°04'12"E, 107.73 feet; Thence N57°33'28"E, 85.39 feet; Thence S87°44'09"E, 163.54 feet; Thence S75°18'14"E, 170.03 feet; Thence S71°26'46"E, 158.35 feet; Thence S58°25'02"E, 139.94 feet; Thence S13°17'41"W, 253.86 feet; Thence S00°52'20"E, 136.08 feet; Thence S63°16'42"W, 67.60 feet; Thence S89°19'32"E, 67.41 feet; Thence S52°17'33"E, 72.12 feet; Thence S13°30'00"E, 98.87 feet; Thence S04°13'30"W, 90.07 feet; Thence S28°07'38"E, 72.58 feet; Thence S63°22'51"E, 77.46 feet; Thence S31°54'33"E, 42.33 feet; Thence S24°59'21"E, 153.74 feet; Thence S26°19'06"E, 146.10 feet; Thence S03°21'48"E, 94.09 feet; Thence N74°26'44"E, 147.01 feet; Thence N66°08'41"E, 99.50 feet; Thence N73°04'10"E, 118.43 feet; Thence S82°19'16"E, 74.57 feet; Thence S30°32'45"E, 102.27 feet to a point; Thence S28°06'55"E, 59.31 feet to a point in the approximate Forsyth County and Guilford County lines; Thence with said county line; S02°08'05"W, 1214.06 feet to a point in the northern line of the aforementioned Lot 8, Bentrige Forest; Thence with the northern line of Lot 8, N88°08'55"W, 311.97 feet to the point and place of beginning.

Containing 78.36± acres and being the southwestern portion of the property recorded in Deed Book 3175, page 1141 in the Forsyth County Registry, and also being the southwestern portion of the property known as Forsyth County Parcel Identification Number 6990-30-1268.

#### Tract B:

Beginning at a point on the Forsyth County and Guilford County line in the line of Duke Power Company, PIN #6990-32-1050, as recorded in Deed Book 1006, page 170 in the Forsyth county Registry. Said point having a NCGS NAD 83 coordinates of N=902,405.82 and E=1,694,355.97. Said point being located N42°56'27"W, 473.69 feet from the northwest corner of Duke Power Company, Guilford County PIN #6990-51- 3605, as recorded in Deed Book 2497, page 688 in the Guilford County Registry. Said point also being located S61°03'46"W, 392.23 feet from the northwest corner of Duke Power Company, Guilford County PIN #6990-51-32185, as recorded in Deed Book 2497, page 688 in the Guilford County Registry. Thence from said point of beginning and with the Forsyth County and Guilford County line, S02°08'05"W, 2,265.84 feet to a point in aforesaid Duke Power line. Thence with the aforementioned Duke Power Company property, following the edge of Belews Lake, the following courses and distances: N13°56'13"W, 177.92 feet; N38°53'43"W, 80.49 feet; S83°45'34"W, 138.23 feet; Thence N81°32'57"W, 139.16 feet; Thence N37°29'26"W, 135.45 feet; Thence N25°49'53"W, 87.53 feet; Thence N02°56'02"E, 167.91 feet; Thence N19°20'40"W, 115.00 feet; Thence N48°13'46"E, 116.89 feet; Thence S88°46'44"E, 168.88 feet; Thence N76°20'48"E, 80.16 feet; Thence N65°57'53"E, 120.71 feet; Thence S88°27'33"W, 181.48 feet; Thence N56°27'37"W, 126.07 feet; Thence N52°10'09W, 95.70 feet; Thence N06°54'47"E, 116.42 feet; Thence N59°20'05"E, 77.06 feet; Thence N67°54'37"W, 68.29 feet; Thence N45°30'18"E, 77.01 feet; Thence S74°15'14"W, 79.16 feet; Thence S89°36'23"W, 151.05 feet; Thence N17°13'21"W, 130.74 feet; Thence N31°47'56"E, 146.68 feet; Thence N86°46'27"E, 96.81 feet; Thence N17°20'06"W, 168.97 feet; Thence N57°39'55"E, 138.88 feet; Thence S75°05'14"E, 113.47 feet; Thence S45°19'40"E, 51.98 feet; Thence N15°28'21"W, 57.88 feet; Thence N05°39'13"E, 106.67 feet; Thence N41°12'12"E, 112.12 feet; Thence N39°02'03"E, 151.61 feet; Thence N60°23'49"E, 81.23 feet; Thence N87°40'38"E, 55.30 feet; Thence N54°02'32"W, 40.39 feet; Thence N04°37'08"E, 128.35 feet; Thence N26°48'26"E, 97.87 feet; Thence N49°36'17"E, 20.00 feet to the point and place of beginning.

Containing 18.65± acres and being the northwestern portion of the property recorded in Deed Book 3175, page 1141 in the Forsyth County Registry, and also being the northwestern portion of the property known as Forsyth County Parcel Identification Number 6990-30-1268.

Section 2. This Ordinance is adopted after approval of the site plan entitled Lakeside, and identified as Attachment A of the Special Use District Permit issued by the Forsyth County

Board of Commissioners the \_\_\_\_\_ day of \_\_\_\_\_, 20\_\_\_\_ to E.M. Leight Heirs.

Section 3. The Board of Commissioners hereby directs the issuance of a Special Use District Permit pursuant to the Zoning Ordinance of the *Unified Development Ordinances* for a development to be known as Lakeside. Said Special Use District Permit and site plan with associated documents are attached hereto and incorporated herein.

Section 4. This Ordinance shall be effective from and after its adoption.

## COUNTY, SPECIAL USE DISTRICT PERMIT

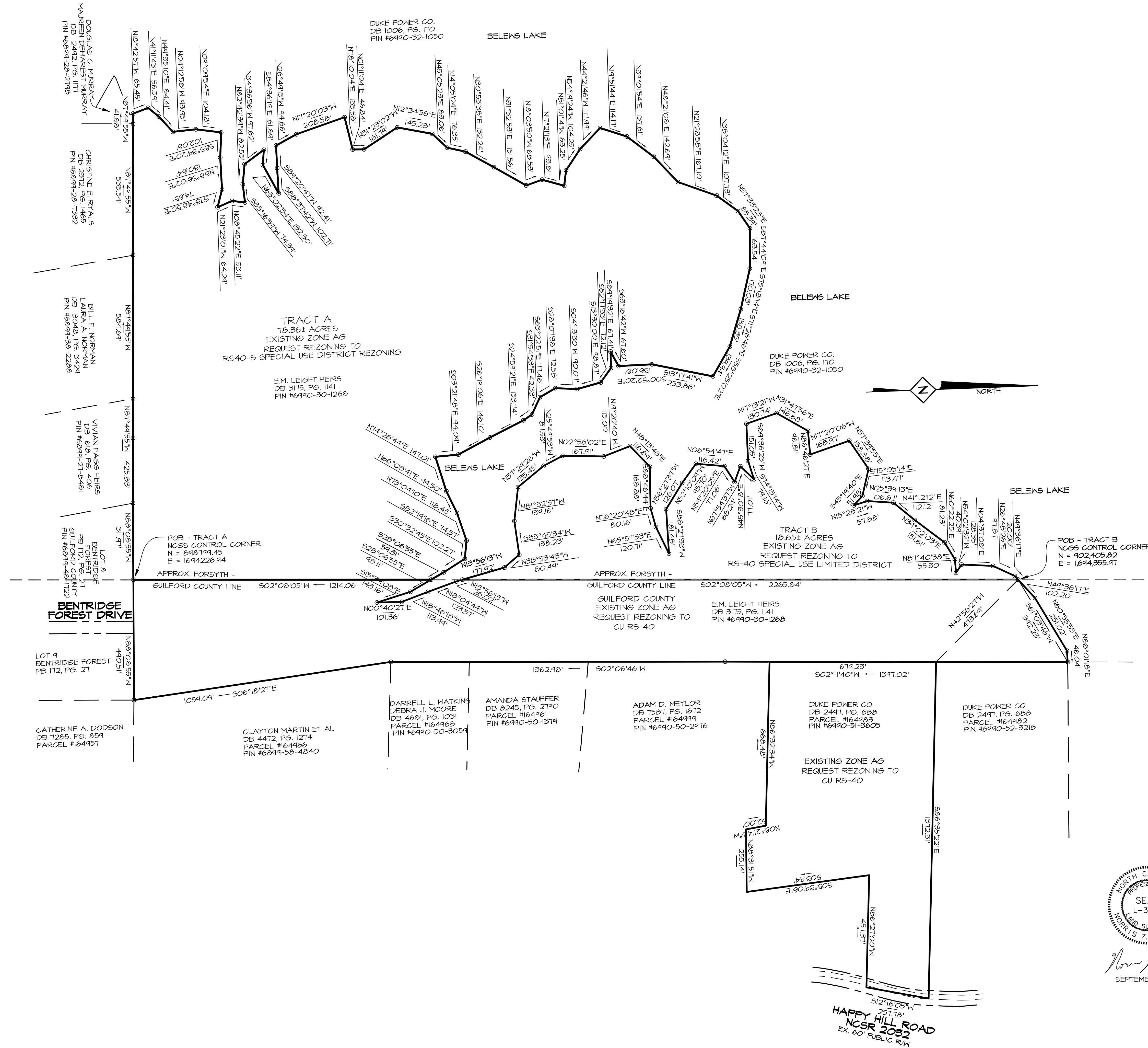
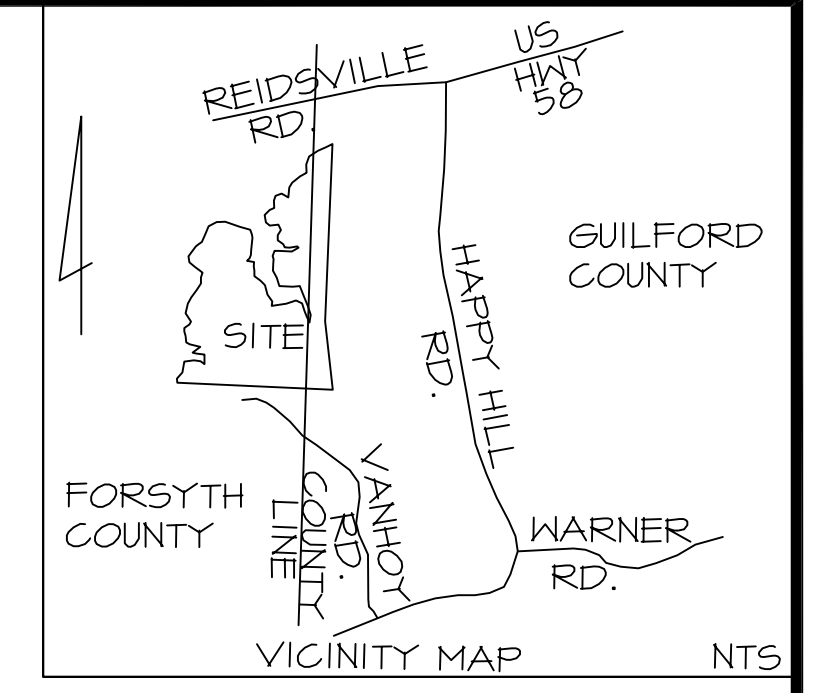
### SPECIAL USE DISTRICT PERMIT

Issued by the Forsyth County  
Board of Commissioners

The Forsyth County Board of Commissioners issues a Special Use District Permit for the site shown on the site plan map included in this zoning petition of E.M. Leight Heirs (Zoning Docket F-1597). The site shall be developed in accordance with the plan approved by the Board and bearing the inscription: "Attachment A, Special Use District Permit for RS40-S (Residential Building, Single Family and Planned Residential Development), approved by the Forsyth County Board of Commissioners the \_\_\_\_ day of \_\_\_\_\_, 20 \_\_\_\_" and signed, provided the property is developed in accordance with requirements of the RS40-S zoning district of the Zoning Ordinance of the *Unified Development Ordinances* of the County Code, the Erosion Control Ordinance, and other applicable laws, and the following conditions be met:

- **PRIOR TO THE ISSUANCE OF GRADING PERMITS:**
  - a. Developer shall obtain relevant development approvals for the portion of the site located within Guilford County.
  - b. Developer shall obtain all necessary permits (including those for stormwater management) from the North Carolina Department of Environmental Quality (NCDEQ) and/or the US Army Corp of Engineers.
  - c. Developer shall obtain driveway permits from NCDOT for proposed access from Bentrige Forest Drive and Happy Hill Road, along with any necessary encroachment agreements for utility ties within the public right-of-way.
  
- **PRIOR TO THE SIGNING OF PLATS:**
  - a. Developer shall complete all requirements of the NCDOT driveway permit.
  - b. All NCDEQ requirements shall be completed.
  - c. Developer shall obtain approval from the Forsyth County Department of Public Health for all proposed septic systems.





- NOTES:
- PIN #6990-30-1268 FORSYTH COUNTY
  - PIN #6990-51-3605 GUILFORD COUNTY
  - TOTAL AREA = 41.01± ACRES
  - EXISTING ZONE = AG
  - PROPOSED ZONE = RS40-S (FORSYTH COUNTY)  
CU RS-40 (GUILFORD COUNTY)
  - ZONE AE, SPECIAL FLOOD HAZARD AREAS SHOWN, ELEVATION 131 PER FEMA FLOOD MAP FORSYTH COUNTY 310698000M, EFFECTIVE DATE 01/02/2009.
  - REFERENCES: DB 1006, PG. 170 & DB3175, PG. 1141

**PURPOSE STATEMENT**  
 THE PURPOSE OF THIS SUBMITTAL IS TO REZONE FROM AG TO RS40-S ZONE FOR APPROVAL TO DEVELOP A SINGLE FAMILY SUBDIVISION WITH PUBLIC STREETS, AND PRIVATE INDIVIDUAL WELLS AND SEPTIC SYSTEMS.

**OWNERS:**  
 E.M. LEIGHT HEIRS  
 ELIZABETH QUICK, POA  
 5017 KNOW VIEW TRAIL  
 WINSTON-SALEM, NC 27104  
 ELIZABETH.QUICK@WHD-US.COM

**DEVELOPERS:**  
 R.S. PARKER HOMES  
 6420 HAMPTON KNOLL ROAD  
 CLEMMONS, NC 27012  
 REP. MR. GREG GARRETT  
 336-344-1147  
 BRAXTONREANDDEV@GMAIL.COM

PRELIMINARY - NOT FOR CONSTRUCTION

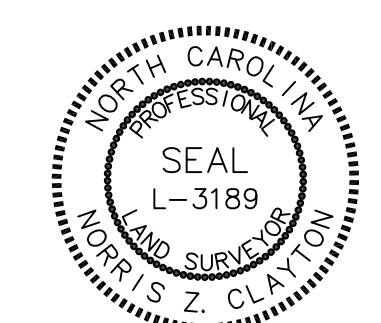
**BOUNDARY COMPOSITE**

**LAKESIDE  
 R.S. PARKER HOMES**  
 BENTRIDGE FOREST DRIVE  
 BELEWS CREEK TOWNSHIP  
 FORSYTH COUNTY, NORTH CAROLINA

DATE: AUG. 24, 2024 SCALE: 1"=200' SHEET: 1 OF 2

**HUGH CREED ASSOCIATES, INC., P.A.**  
 CONSULTING ENGINEERS AND LAND SURVEYORS

P.O. BOX 9623 GREENSBORO, N.C. 27408  
 PHONE: (336) 275-9826 OR (336) 275-8084  
 FIRM LICENSE #C-0551  
 E-MAIL: HCA@HUGHCREEDASSOCIATES.COM

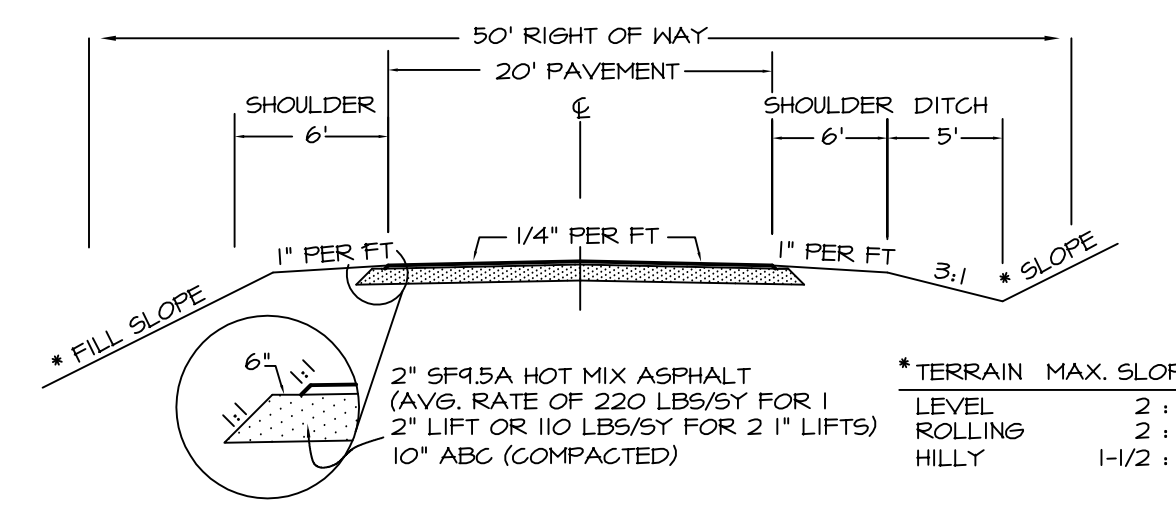
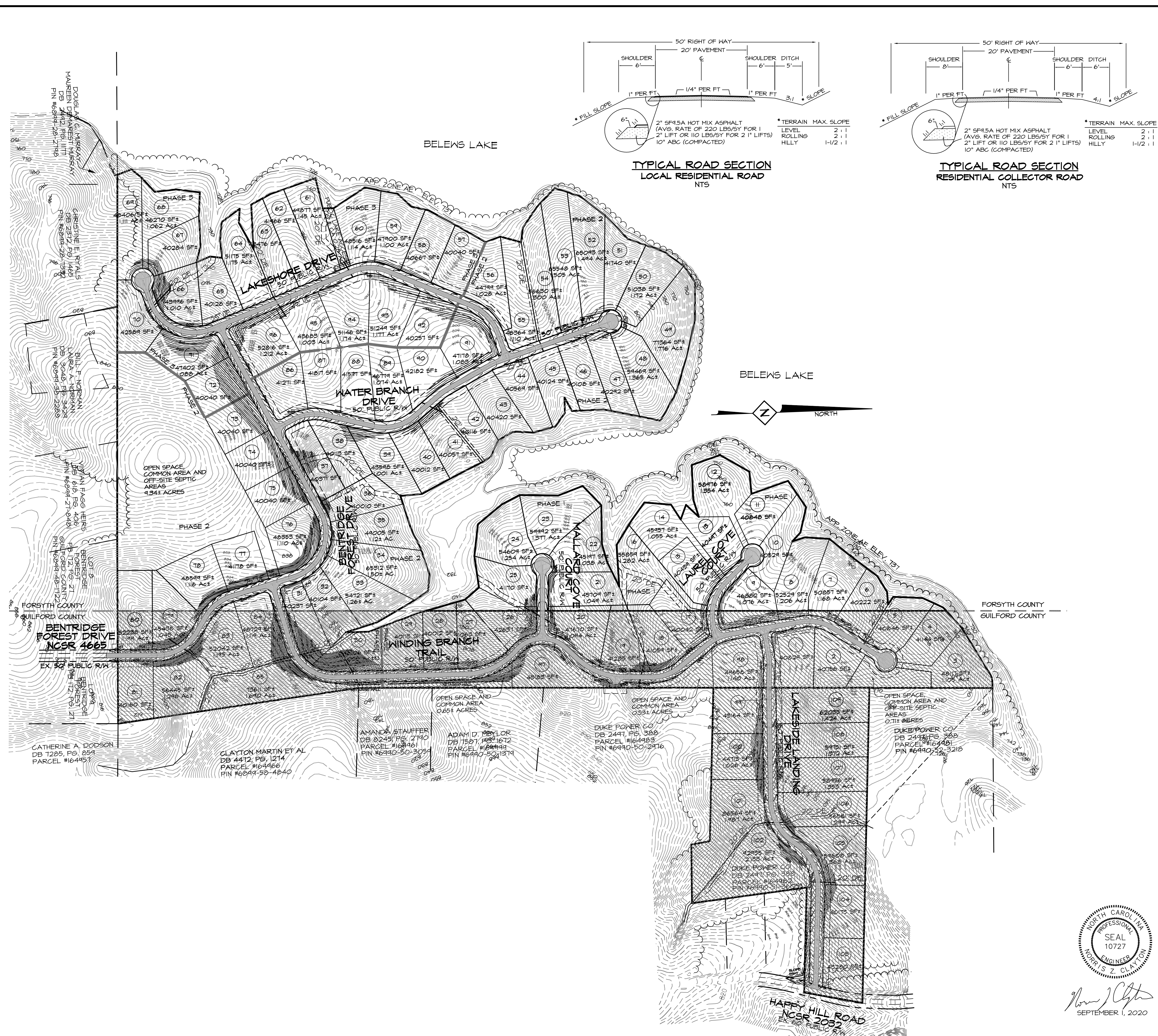


SEPTEMBER 1, 2020

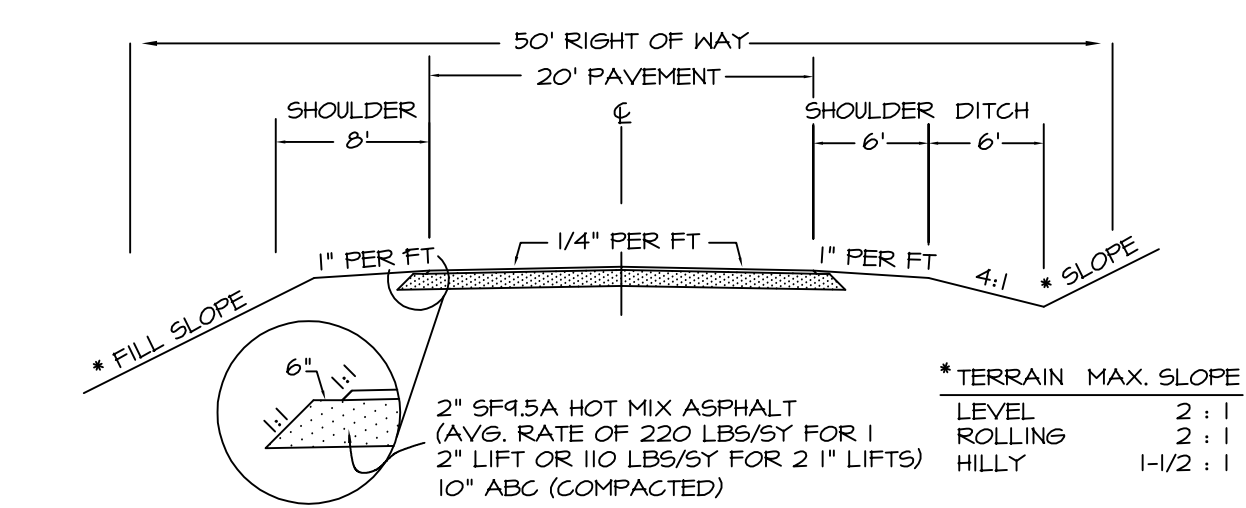
HAPPY HILL ROAD  
 NCSR 2032  
 EX. 60' PUBLIC R/W

PLAN REQUIRED BY 2006 N.C. GARBRETT BELEWS LAKE SWGA SITE 3  
 CAB USE DWG. P

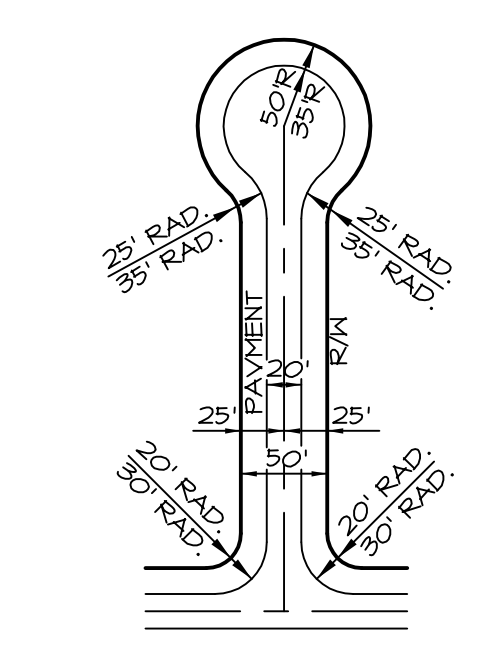




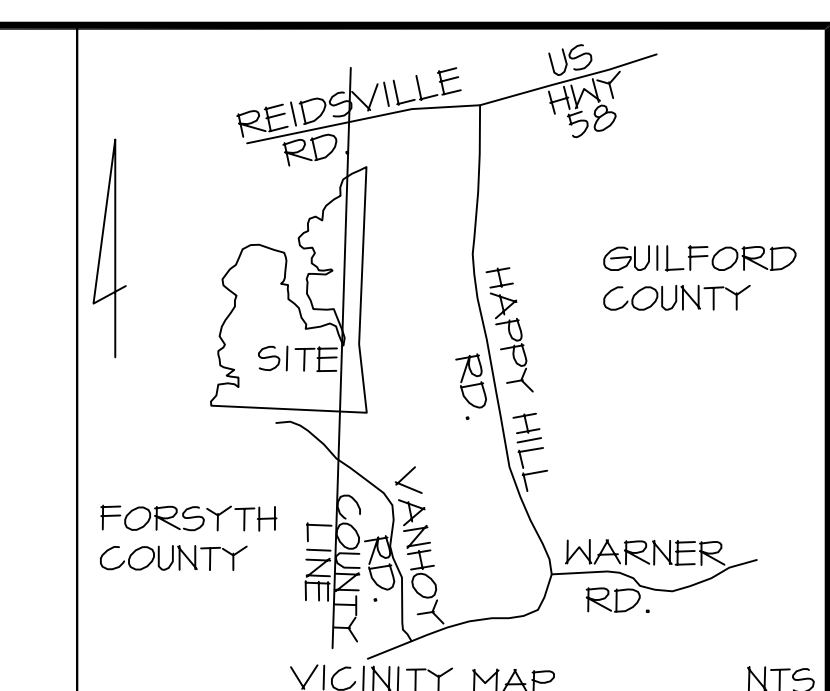
TYPICAL ROAD SECTION  
LOCAL RESIDENTIAL ROAD  
NTS



TYPICAL ROAD SECTION  
RESIDENTIAL COLLECTOR ROAD  
NTS

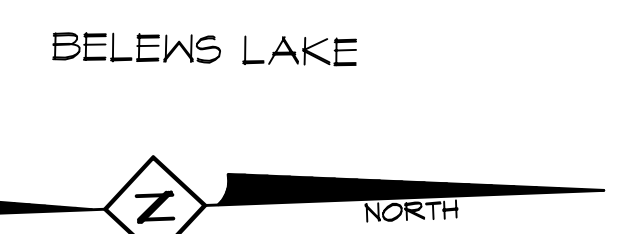


DETAIL  
PROPOSED STREET DIMENSIONS  
WITH SYMMETRICAL CUL-DE-SAC  
NO SCALE



LEGEND:  
DE = PRIVATE DRAINAGE EASEMENT  
UE = PUBLIC UTILITY EASEMENT  
— = STORM DRAIN PIPE (RCP)

MINIMUM SETBACK REQUIREMENTS:  
  
**FORSYTH COUNTY**  
 MINIMUM WIDTH = 100'  
 FRONT YARD = 35'  
 REAR YARD = 40'  
 ONE SIDE YARD = 10'  
 COMBINED SIDE YARD = 25'  
 SIDE STREET = 20'  
  
**GUILFORD COUNTY**  
 MINIMUM WIDTH = 150'  
 FRONT YARD = 40'  
 SIDE STREET YARD = 40'  
 SIDE YARD = 15'  
 REAR YARD = 30'



- SITE NOTES:**
- PIN #6990-30-1268 FORSYTH COUNTY  
PIN #6990-51-3605 GUILFORD COUNTY  
TOTAL AREA = 91.01± ACRES  
AREA IN LOTS = 80.30± ACRES (88.2% OF TOTAL AREA)  
AREA IN STREETS = 7.09± ACRES  
AREA IN OPEN SPACE, COMMON AREA AND OFF-SITE SEPTIC SITES = 4.62± ACRES (9.9% OF TOTAL AREA)
  - NUMBER OF PROPOSED SINGLE FAMILY LOTS = 75 (0.75 LOTS / ACRE)
  - SITE IS IN THE BELEWS LAKE WATER SHED  
SITE IS IN THE ROANOKE RIVER BASIN.  
LOTS TO BE SERVED BY PRIVATE INDIVIDUAL WELLS AND PRIVATE INDIVIDUAL SEPTIC SYSTEMS.
  - 10375 LF STREETS TO BE PUBLIC NCDOT STREETS
  - EXISTING ZONE = AG  
PROPOSED ZONE = RS40-S (FORSYTH COUNTY)  
ZONE AE, SPECIAL FLOOD HAZARD AREAS SHOWN. ELEVATION 731 PER FEMA FLOOD MAP FORSYTH COUNTY 3710648000M, EFFECTIVE DATE 01/02/2004.
  - REFERENCES: DB 1006, PG. 170 & DB 3175, PG. 1141
  - MINIMUM LOT SIZE = 40,000 SQ. FT.
  - THERE SHALL BE 10'x10' SITE TRIANGLES AT STOP CONDITIONS AT ALL INTERSECTIONS PER NCDOT
  - PROPOSED USES: RESIDENTIAL BUILDING, SINGLE FAMILY, PLANNED RESIDENTIAL DEVELOPMENT.
  - STREET NAMES ARE PENDING SUBJECT TO APPROVAL.

**PURPOSE STATEMENT**  
 THE PURPOSE OF THIS SUBMITTAL IS TO REZONE FROM AG TO RS40-S ZONE FOR APPROVAL TO DEVELOP A SINGLE FAMILY SUBDIVISION WITH PUBLIC STREETS, AND PRIVATE INDIVIDUAL WELLS AND SEPTIC SYSTEMS.

**OWNERS:**  
 E.M. LEIGHT HEIRS  
 ELIZABETH QUICK, POA  
 5017 KNOW VIEW TRAIL  
 WINSTON-SALEM, NC 27104  
 ELIZABETH.QUICK@HBD-US.COM

**DEVELOPERS:**  
 R.S. PARKER HOMES  
 6420 HAMPTON KNOLL ROAD  
 CLEMMONS, NC 27012  
 REP.: MR. GREG GARRETT  
 336-349-7197  
 BRAXTONREANDDEV@GMAIL.COM

PRELIMINARY – NOT FOR CONSTRUCTION

**PRELIMINARY SITE PLAN**

**LAKESIDE**  
**R.S. PARKER HOMES**  
 BENTRIDGE FOREST DRIVE  
 BELEWS CREEK TOWNSHIP  
 FORSYTH COUNTY, NORTH CAROLINA

DATE: AUG. 24, 2024 SCALE: 1"=200' 0 100 200 400 SHEET: 2 OF 2

**HIGH CREED ASSOCIATES, INC., P.A.**  
 CONSULTING ENGINEERS AND LAND SURVEYORS

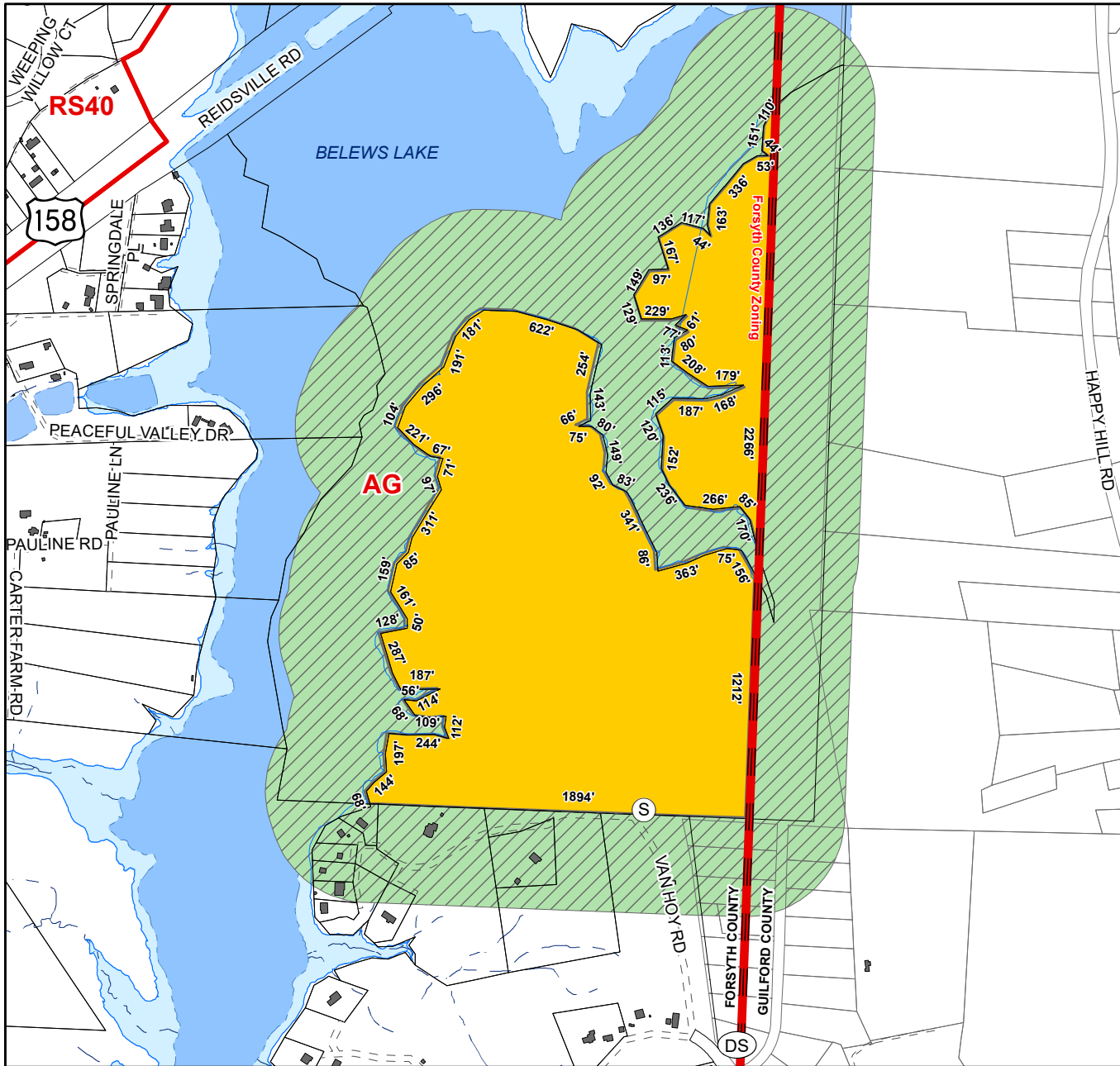
P.O. BOX 9623 GREENSBORO, N.C. 27408  
 PHONE: (336) 275-9826 OR (336) 275-8084  
 FIRM LICENSE #C-0551  
 E-MAIL: TCA@HIGHCREEDASSOCIATES.COM



SEPTEMBER 1, 2020

PLAN PROJETS: 200651 GABRIELLA BELEWS LAKE SWAG SITES  
 CAB USE DWR: P







**DOCKET #:** F1597

**PROPOSED ZONING:**  
RS40-S

**EXISTING ZONING:**  
AG

**PETITIONER:**  
E.M. Leight Heirs (Lakeside)

 Property included in zoning request.

 500' mail notification radius. Property not in zoning request.

**SCALE:** 1" represents 800'

**STAFF:** Roberts

**GMA:** 5

**ACRES:** 97.01

**NEAREST BLDG:** 31' south

**MAP(S):** 6990.03;  
6899.01





Bryce A. Stuart Municipal Building  
100 E. First Street  
P.O. Box 2511  
Winston-Salem, NC 27102  
CityLink 311 (336.727.8000)  
Fax 336.748.3163  
[www.cityofws.org/planning](http://www.cityofws.org/planning)

October 28, 2020

Greg Garrett  
R.S. Parker Homes  
6420 Hampton Knoll Road  
Clemmons, NC 27012

Re: Zoning Petition F-1597

Dear Petitioner:

The attached report of the Planning Board to the Forsyth County Board of Commissioners is sent to you at the request of the Commissioners. You will be notified by the Board of Commissioner's Office of the date on which the Commissioners will hear this petition.

Sincerely,

Aaron King  
Director of Planning and Development Services

pc: Clerk to the Board of Commissioners, Forsyth County Government Center, 5<sup>th</sup> Floor, 201 N. Chestnut Street, Winston-Salem, NC 27101  
Hugh Creed Associates, Inc., P.A., Attn: Norris Clayton, 1306 W. Wendover Avenue, Greensboro, NC 27408



**City Council:** Mayor Allen Joines; Denise D. Adams, Mayor Pro Tempore, North Ward; Dan Besse, Southwest Ward; Robert C. Clark, West Ward; John C. Larson, South Ward; Jeff MacIntosh, Northwest Ward; Morticia "Tee-Tee" Parmon, Northeast Ward; Annette Scippio, East Ward; James Taylor, Jr., Southeast Ward; City Manager: Lee D. Garrity

**County Commissioners:** David R. Plyler, Chairman; Don Martin, Vice Chair, Fleming El-Amin; Ted Kaplan; Richard V. Linville; Tonya McDaniel; Gloria D. Whisenhunt; County Manager: Dudley Watts, Jr.

**City-County Planning Board:** Chris Leak, Chair; Melynda Dunigan, Vice-Chair; George M. Bryan, Jr.; Jason Grubbs; Tommy Hicks; Clarence R. Lambe, Jr.; Mo McRae; Brenda J. Smith; Jack Steelman

**NOTICE OF PUBLIC HEARING BEFORE THE  
CITY-COUNTY PLANNING BOARD OF FORSYTH COUNTY  
AND WINSTON-SALEM, NORTH CAROLINA ON  
REZONING REQUESTS AND RELATED MATTERS**

Notice is hereby given, in accordance with the requirement of applicable law, that the City-County Planning Board will hold a remote public hearing in accordance with State and local laws on Zoom, an interactive web-based program, at 4:30 P.M. on October 8, 2020 on the following rezoning and related matters:

1. Zoning petition of E.M. Leight Heirs from AG to RS40-S (Residential Building, Single Family and Planned Residential Development): property is located on the eastside of Belews Lake and north of Van Hoy Road; property consists of ± 97.01 acres and is portions of PIN 6990-30-1268 as shown on the Forsyth County Tax Maps and on a site plan on file in the office of the City-County Planning Board (Zoning Docket F-1597).

**NOTE: TIME LIMIT FOR SPEAKERS:** Speakers in favor and speakers in opposition of rezoning requests or related public hearing matters shall be limited to twelve (12) minutes total speaking time for each side. All speakers should register prior to the meeting. Registration will begin at 4:00 P.M. You must inform the City-County Planning and Development Services staff if you would like to participate so they can add you to the virtual meeting.

The City of Winston-Salem does not discriminate on the basis of race, sex, color, age, national origin, religion or disability in its employment opportunities, programs, services or activities.

All requests for appropriate and necessary auxiliary aids and services must be made within a reasonable time prior to the hearing to the Office of Planning and Development Services at (336) 747-7040 or email at [samuelhu@cityofws.org](mailto:samuelhu@cityofws.org).

**CITY-COUNTY PLANNING BOARD  
STAFF REPORT**

<b>PETITION INFORMATION</b>			
<b>Docket</b>	F-1597		
<b>Staff</b>	<a href="#">Gary Roberts, Jr., AICP</a>		
<b>Petitioner(s)</b>	E.M. Leight Heirs		
<b>Owner(s)</b>	Same		
<b>Subject Property</b>	Portions of PIN 6990-30-1268		
<b>Address</b>	There is currently no address assignment for the subject property.		
<b>Type of Request</b>	Special Use rezoning from AG to RS40-S		
<b>Proposal</b>	<p>The petitioner is requesting to amend the Official Zoning Map for the subject property <b>from</b> AG (Agricultural – 40,000sf minimum lot size) <b>to</b> RS40-S (Residential, Single-Family – 40,000sf minimum lot size – Special Use). The petitioner is requesting the following uses:</p> <ul style="list-style-type: none"> <li>Residential Building, Single Family and Planned Residential Development</li> </ul>		
<b>Neighborhood Contact/Meeting</b>	A summary of the petitioner’s neighborhood outreach is attached.		
<b>Zoning District Purpose Statement</b>	<p>The RS40 District is primarily intended to accommodate single-family detached dwellings on large lots in areas without access to public water and sewer services. The district is established to promote single family detached residences where environmental features, public service capacities, or soil characteristics necessitate very limited development. This district is intended for application in GMAs 4 and 5 and appropriate protected watershed areas. This district may also be applicable to older, larger lot development in GMAs 2 and 3 developed prior to the effective date of this Ordinance.</p>		
<b>Rezoning Consideration from Section 3.2.15 A 13</b>	<b>Is the proposal consistent with the purpose statement(s) of the requested zoning district(s)?</b>		
	This proposal is consistent with the purpose statement of the RS40 district in that the site is located within GMA 5 and is not served with public water or sewer.		
<b>GENERAL SITE INFORMATION</b>			
<b>Location</b>	North of Van Hoy Road and west of Happy Hill Road (Guilford County)		
<b>Jurisdiction</b>	Forsyth County		
<b>Site Acreage</b>	± 97.01 acres		
<b>Current Land Use</b>	The site is currently undeveloped.		
<b>Surrounding Property Zoning and Use</b>	<b>Direction</b>	<b>Zoning District</b>	<b>Use</b>
	North	AG	Belews Lake
	East	AG (Guilford County)	Undeveloped property
	South	AG	Large lot single-family residential
	West	AG	Belews Lake

<b>Rezoning Consideration from Section 3.2.15 A 13</b>	<b>Is/are the use(s) permitted under the proposed classification/request compatible with uses permitted on other properties in the vicinity?</b>					
	Yes. The proposed low-density, single-family residential use is generally compatible with the uses permitted on the adjacent properties.					
<b>Physical Characteristics</b>	The site is heavily wooded with a mixture of deciduous and evergreen trees. The western edge of the site abuts Belews Lake, which includes some regulatory floodplain areas. The site also has a wide variation in topography, including some steep slope areas.					
<b>Proximity to Water and Sewer</b>	Because public sewer is not available, this development would utilize individual septic systems. The site does not have access to public water from the Winston-Salem/Forsyth County Utilities Commission; however, it does have access to public water service from the Town of Stokesdale.					
<b>Stormwater/ Drainage</b>	The proposed streets are not required to have curb and gutter. Stormwater runoff would sheet flow into side ditches, with outflow into several drainage easements flowing to the edges of the site.					
<b>Watershed and Overlay Districts</b>	The site is not located within a water supply watershed.					
<b>Analysis of General Site Information</b>	This undeveloped site is located in the northeast corner of Forsyth County adjacent to Belews Lake. The proposed development straddles the Forsyth/Guilford County line, which creates unique circumstances for providing services. Public sewer service is not available.					
<b>RELEVANT ZONING HISTORIES</b>						
Case	Request	Decision & Date	Direction from Site	Acreage	Recommendation	
					Staff	CCPB
F-1591	AG to RS40-S	Approved 3/19/2020	± 3,000 feet north	66.39	Approval	Approval
F-1306	AG to RS40-S	Approved 6/12/2000	± 1,800 feet north	24.24	Approval	Approval
<b>SITE ACCESS AND TRANSPORTATION INFORMATION</b>						
Street Name	Classification	Frontage	Average Daily Trip Count	Capacity at Level of Service D		
Bentridge Forest Drive	Local Street	± 50 feet in Guilford County	N/A	N/A		
Happy Hill Road	Local Street	± 250 feet in Guilford County	N/A	N/A		
<b>Proposed Access Point(s)</b>	The site will be accessed from Bentridge Forest Drive and Happy Hill Road in Guilford County.					
<b>Trip Generation - Existing/Proposed</b>	<u>Existing Zoning: AG</u> 97.01 acres / 40,000 sf = 105 homes x 9.57 (single-family trip rate) = 1,005 trips per day					

	<p><u>Proposed Zoning: RS40-S</u>  <math>\pm 76 \text{ homes}^* \times 9.57 \text{ (single-family trip rate)} = 727 \text{ trips per day}</math>  (* Approximate number of potential lots which could be fully within Forsyth County)</p>	
<b>Sidewalks</b>	Sidewalks are not required because curb and gutter is not required.	
<b>Connectivity</b>	The proposed public street system complies with the required connectivity index.	
<b>Analysis of Site Access and Transportation Information</b>	The site will be accessed from two streets within Guilford County. All proposed streets are public, and there are no practical opportunities for stub streets. Sidewalks are not required. Staff does not anticipate any transportation-related issues associated with the request, which proposes fewer single-family homes than would be permissible under the current zoning.	
<b>SITE PLAN COMPLIANCE WITH UDO CLEARCODE REQUIREMENTS</b>		
<b>Units (by type) and Density</b>	76 single-family homes* on 97.01 acres = .78 units per acre (* Approximate number of potential lots which could be fully within Forsyth County)	
<b>UDO ClearCode Sections Relevant to Subject Request</b>	<ul style="list-style-type: none"> <li>• Section 4.5.3: RS40 District</li> <li>• Chapter 7: Subdivision Requirements</li> </ul>	
<b>Complies with Section 3.2.11</b>	<b>(A) Legacy 2030 policies:</b>	Yes
	<b>(B) Environmental Ordinance</b>	Yes
	<b>(C) Subdivision Regulations</b>	Yes
<b>Analysis of Site Plan Compliance with UDO ClearCode Requirements</b>	The proposed plan illustrates the street layout and lotting pattern for a conventional single-family subdivision. The proposed use is allowed in the existing and proposed zoning districts, and both districts have the same minimum lot size of 40,000 square feet. The relevant distinction for this request pertains to minimum lot width (150 feet in AG and 100 feet in RS40).	
<b>CONFORMITY TO PLANS AND PLANNING ISSUES</b>		
<b>Legacy 2030 Growth Management Area</b>	Growth Management Area 5 – Rural Area	
<b>Relevant Legacy 2030 Recommendations</b>	<ul style="list-style-type: none"> <li>• Minimize the conversion of undeveloped land into residential subdivision development in Forsyth County’s Rural Area by limiting the extension of public sewer into the area.</li> <li>• Without public sewer, the Rural Area will be much more likely to contain only scattered, low-density residential uses in addition to agricultural uses and woodlands.</li> <li>• Encourage subdivisions that conserve open space and rural vistas.</li> <li>• Do not rezone property to more intense districts.</li> </ul>	
<b>Relevant Area Plan(s)</b>	The site is not within the boundaries of an area plan; however, it is located within the <i>Northeast Rural Area Study</i> (2012 - not adopted) prepared for the Forsyth County Board of Commissioners.	

<b>Area Plan Recommendations</b>	<ul style="list-style-type: none"> <li>Do not extend sewer to the area and carefully evaluate the use of private package treatment plants.</li> <li>Encourage Planned Residential Developments (PRDs) in areas that are to be subdivided.</li> <li>Encourage rurally compatible design and landscaping of residential development to minimize the impact of new developments on the community's rural and scenic character.</li> </ul>
<b>Site Located Along Growth Corridor?</b>	The site is not located along a growth corridor.
<b>Site Located within Activity Center?</b>	The site is not located within an activity center.
<b>Addressing</b>	The proposed street names have been approved by MapForsyth. Individual addresses will be assigned at platting.
<b>Rezoning Consideration from Section 3.2.15 A 13</b>	<b>Have changing conditions substantially affected the area in the petition?</b>
	No
	<b>Is the requested action in conformance with <i>Legacy 2030</i>?</b>
	Yes
<b>Analysis of Conformity to Plans and Planning Issues</b>	<p>The request is to rezone an undeveloped tract from AG to RS40-S to accommodate a single-family subdivision. The site is adjacent to Belews Lake and straddles the Forsyth/Guilford County line. Of the proposed 109 lots, approximately 88 are fully or partially within Forsyth County.</p> <p>The site is located within the Rural Area (GMA 5). The surrounding development pattern is a combination of large-lot residential and undeveloped land. Several large-lot residential subdivisions in the immediate vicinity of Belews Lake have similar zoning.</p>
<b>CONCLUSIONS TO ASSIST WITH RECOMMENDATION</b>	
<b>Positive Aspects of Proposal</b>	<b>Negative Aspects of Proposal</b>
The request is for fewer lots than could theoretically be approved under the current AG zoning.	The request would result in the conversion of a large, heavily wooded area in GMA 5 to a conventional single-family subdivision.
Multiple RS40 zoned neighborhoods exist within this portion of Forsyth County.	
The request complies with the RS40 district purpose statement and does not propose to extend public sewer into the Rural Area (GMA 5), a recommendation of <i>Legacy</i> .	
The site is not located within a water supply watershed.	



**SITE-SPECIFIC RECOMMENDED CONDITIONS OF APPROVAL**

The following conditions are proposed from interdepartmental review comments to meet established standards or to reduce negative off-site impacts:

- **PRIOR TO THE ISSUANCE OF GRADING PERMITS:**
  - a. Developer shall obtain relevant development approvals for the portion of the site located within Guilford County.
  - b. Developer shall obtain all necessary permits (including those for stormwater management) from the North Carolina Department of Environmental Quality (NCDEQ) and/or the US Army Corp of Engineers.
  - c. Developer shall obtain driveway permits from NCDOT for proposed access from Bentrige Forest Drive and Happy Hill Road, along with any necessary encroachment agreements for utility ties within Coldwater Road.
  - d. Developer shall obtain approval from the Forsyth County Department of Public Health for all proposed septic systems.
  
- **PRIOR TO THE SIGNING OF PLATS:**
  - a. Developer shall complete all requirements of the NCDOT driveway permit.
  - b. All NCDEQ requirements shall be completed.

**STAFF RECOMMENDATION: Approval**

**NOTE:** These are **staff comments** only; the City-County Planning Board makes final recommendations on proposals, and final actions taken by the appropriate Elected Body, which may approve, deny, continue or request modification to any request. **THE APPLICANT OR REPRESENTATIVE IS STRONGLY ENCOURAGED TO ATTEND THE PUBLIC HEARINGS WHERE THE CASE WILL BE CONSIDERED BY THE PLANNING BOARD AND THE ELECTED BODY.**

---

---

**CITY-COUNTY PLANNING BOARD  
PUBLIC HEARING  
MINUTES FOR F-1597  
OCTOBER 8, 2020**

Gary Roberts presented the staff report.

Jason Grubbs asked staff what the zoning is on the Guilford County side, and if there was a pending rezoning there as well.

Gary stated that it was currently zoned AG and would defer to the developer on any pending rezoning at this time.

George Bryan asked staff to provide more information about the plans for septic fields.

MelyndaDunigan asked staff to give more detail on the proposed lot lines in relation to how far they extended towards the lake.

Jack Steelman asked about school districts in the proposed neighborhood.

**PUBLIC HEARING**

FOR:

Greg Garrett, 6420 Hampton Knoll Road, Clemmons, NC 27012

- I am the developer for this project. I am also representing the E. M. Leight Estate. They have approached us about purchasing their property and felt the best use of the property was for residential development because of its extensive frontage on Belews Lake.
- There are 127 acres with 90-plus acres in Forsyth County. There are approximately 30 acres in the Oak Ridge jurisdiction and a deeded access easement through a Duke Energy parcel that adjoins Happy Hill Road. As of last week, the Oak Ridge Town Council approved our RS40 request for the Oak Ridge portion of this project. Stokesdale is requiring us to rezone the tract that the access easement runs through. That rezoning is in process.
- I have personally called every person adjoining the perimeter of the area and have spoken to almost all of them. I have also spent time driving the local roads and have been able to speak with residents that way. I feel it has been fairly well received. Once folks found out we were going to have public water, it alleviated their concern of wells running dry. There is a need for more infrastructure in this area. There is no high-speed internet on Happy Hill Road or Bentrige Forest Drive. Folks were very excited to hear that was coming.

- Home sites are consistent with other subdivisions in this area. Property values will be above average, particularly with the lots that adjoin the Duke Energy right-of-way. Lots do not go to the shore. The markers are very defined in what control Duke Energy has. Docks on the lake are prohibited. It is possible there could be a community dock, but that would require a lot of effort, and would go through a lot of process.
- We ask you to look at the plans presented and vote in favor of this project. Norris Clayton is available to answer any questions you may have as well.

Norris Clayton, 1306 West Wendover Avenue, Greensboro, NC 27408

- We are the design engineers for the site. We did a preliminary soil evaluation on the site. Most of the area will have perk sites on individual lots. For any off-site septic areas, each lot will have an individual pump and forced main that leads the septic to those areas.

AGAINST:

Dr. Art Taylor, 8731 Van Hoy Road, Kernersville, NC 27284

- I have 20 acres alongside Van Hoy Road, a portion in Forsyth County, and a portion in Guilford County. I have a little cowboy camp for kids called Little Hat Ranch. We do benefits and send money to children's hospitals, and my main concern (what I'm opposed to) is the connection between Brentwood and the proposed development, what the traffic will do to my camp, with horses and kids in the area. It would be good if they could not have this connection.

Christine Ryals, 8788 Van Hoy Road, Kernersville, NC 27284

- I have submitted some of my concerns earlier, which you should have in your file. One concern is the lot sizes. I knew we were requesting AG to Residential 40, but I thought there was an additional request to reduce the lot sizes from 150 feet to 100 feet, and that was something that I wanted the Board to reconsider. This is a rural area and rural means larger lot sizes. Even though some of the subdivisions that are being approved in other areas might have smaller ones, people move to a rural area because of the type of lifestyle it is, and cramming a lot of houses into a small space changes that. The additional traffic is huge for me. Most of the traffic looks like it's going to be coming from Forsyth County onto Guilford County. There are no lines on the roads. One of the suggestions was putting speed bumps in that might control some of the traffic. The two counties need to work together to see how they are going to get this done because the houses will be in Forsyth County, using Guilford County roads.

Maureen Murray, 8798 Van Hoy Road, Kernersville, NC 27284

- I have spoken with Mr. Garrett earlier today and had some questions answered. Our primary concern was whether similar restrictions would be applied along the lake edge by Duke Energy that applied to the rest of the homeowners like us. We are on the lakefront. We all have restrictions in terms of not clearcutting the property and leaving certain trees

that are above a certain diameter. Mr. Garrett says they have those same restrictions as well.

- We also were concerned about access and wanted to be sure that there was not going to be construction traffic coming down the private road. We also did not want to see the size of the lots reduced any further. We are pleased they are considering public water.
- I think if things stay as planned that I'm not actually speaking in opposition; we just didn't want it to change from what was being proposed.

George asked Ms. Murray if she knew what the general requirements were from Duke Energy in terms of trees. Ms. Murray stated that by her memory, in the realm of Duke Energy access lines, anything over a four-inch diameter - in terms of the tree trunk size - is not supposed to be cut down. That varies, depending on where your lot is and has to do with how far your lot can flood from the lake. There are also requirements, in terms of what you can and cannot do to the lake's edge, regarding whether you use stone, boarding, riprap, or other things.

With regard to Dr. Taylor's comment about traffic coming through a single access point, George asked him if he saw any other options for the developer. Dr. Taylor stated that he was opposed to the access into the Brentwood area that connects with Van Hoy Road, but if the rezoning passes, he would like to see some speed breakers put up every hundred yards. Construction trucks coming in and out of the area, with children on four-wheelers and such, may be using this as a cut-through, which was also a concern.

Clarence Lambe asked Mr. Clayton how they would handle replacing or repairing a septic field in a common area. Mr. Clayton responded that if a site did not have sufficient soil, then there has to be an off-site septic system. A pump is put on the lot, with a forced main going just outside the right-of-way and over to the common septic area, and each individual lot that needs an off-site septic system would be laid out separately for its initial and repair sites. It would be like an on-site initial repair system, but it would be located off-site. That area is surrounded by an easement detailed on the plat once it's approved by the health department.

## **WORK SESSION**

MOTION: Clarence Lambe recommended that the Planning Board find that the request is consistent with the comprehensive plan.

SECOND: Tommy Hicks

VOTE:

FOR: George Bryan, Melynda Dunigan, Jason Grubbs, Tommy Hicks, Clarence Lambe, Chris Leak, Mo McRae, Brenda Smith, Jack Steelman

AGAINST: None

EXCUSED: None

MOTION: Clarence Lambe recommended approval of the zoning petition.

SECOND: Jack Steelman

VOTE:

FOR: George Bryan, MelyndaDunigan, Jason Grubbs, Tommy Hicks, Clarence Lambe,  
Chris Leak, Mo McRae, Brenda Smith, Jack Steelman

AGAINST: None

EXCUSED: None

---

Aaron King  
Director of Planning and Development Services

**USES ALLOWED IN THE EXISTING AG ZONING DISTRICT**  
**Forsyth County Jurisdiction**

**USES ALLOWED WITH A PERMIT  
FROM THE ZONING OFFICER (Z)**

Adult Day Care Home  
Agricultural Production, Crops  
Agricultural Production, Livestock  
Agricultural Tourism  
Animal Feeding Operation  
Child Day Care, Small Home  
Church or Religious Institution, Neighborhood  
Family Group Home A  
Fish Hatchery  
Kennel, Outdoor  
Police or Fire Station  
Recreation Facility, Public  
Residential Building, Single Family  
Swimming Pool, Private  
Transmission Tower (see use-specific standards  
in *UDO ClearCode*)

**USES ALLOWED WITH REVIEW BY  
THE PLANNING BOARD (P)**

Cemetery  
Church or Religious Institution, Community  
Golf Course  
Landfill, Land Clearing/Inert Debris, 2 acres or  
less  
Library, Public  
Planned Residential Development  
School, Private  
School, Public  
Utilities

**USES ALLOWED WITH SPECIAL USE  
PERMIT FROM ZONING BOARD OF  
ADJUSTMENT (A)**

Borrow Site  
Campground  
Child Day Care, Large Home  
Dirt Storage  
Fishing, Fee Charged  
Habilitation Facility A  
Manufactured Home, Class A  
Manufactured Home, Class B  
Manufactured Home, Class C  
Nursing Care Institution  
Park and Shuttle Lot  
Recreational Vehicle Park  
Riding Stable  
Shooting Range, Outdoor  
Special Events Center  
Transmission Tower

**USES ALLOWED WITH SPECIAL USE  
PERMIT FROM ELECTED BODY (E)**

Access Easement, Private Off-Site<sup>5</sup>  
Landfill, Land Clearing/Inert Debris, greater  
than 2 acres

<sup>5</sup>*SUP not required if standards of Section 5.2.2A are met*



# F-1597 Lakeside (Special Use Rezoning & Preliminary Subdivision)



Bryce A. Stuart Municipal Building  
100 East First Street, Suite 225  
Winston-Salem, NC 27101  
Fax: 336-748-3163

Phone: 336-747-7065

City of W-S Planning

Norris Clayton  
Hugh Creed Associates, Inc., PA  
1306 W. Wendover Ave.  
Greensboro, NC 27408

Project Name: F-1597 Lakeside (Special Use Rezoning & Preliminary Subdivision)  
Jurisdiction: City of Winston-Salem  
ProjectID: 431229

Wednesday, September 16, 2020

The comments listed below reflect remaining issues that must be addressed before your request can proceed to the Planning Board. All outstanding issues included in this list must be satisfactorily addressed on the revised site plan and re-submitted back to Planning staff no later than 5:00pm on the Thursday two weeks before (14 days prior to) the Planning Board meeting.

## Open Issues: 10

### Erosion Control

#### General Issues

#### 16. Erosion Control Plan Needed

<p><a href="#">City of Winston-Salem</a> Matthew Osborne 336-747-7453 <a href="mailto:matthewo@cityofws.org">matthewo@cityofws.org</a> 9/8/20 3:05 PM 01.03) Rezoning- Special Use District - 2</p>	<p>If the proposed project creates more than 10,000 sq. feet of land disturbance, an Erosion Control/Grading Permit will be required prior to the start of work. In order to obtain this permit you must submit a professionally designed Erosion and Sedimentation Control Plan along with an original signed/notarized Financial Responsibility/Ownership (FRO) form for review and approval. Please submit the plan through the electronic plan review portal at the following link: <a href="https://winston-salem.idtplans.com/secure/">https://winston-salem.idtplans.com/secure/</a></p>
---	---

#### 17. Project Crosses Jurisdictional Boundaries

**City of Winston-Salem** This project has portions in Forsyth and Guilford Counties. Will need to coordinate with Guilford County Erosion Control program on which agency will be primarily responsible for reviewing the Erosion Control plan and issuing the Grading/Erosion Control Permit for this project.  
Matthew Osborne  
336-747-7453  
[matthewo@cityofws.org](mailto:matthewo@cityofws.org)  
9/8/20 3:10 PM  
01.03) Rezoning-  
Special Use District - 2

## Fire/Life Safety County

### General Issues

#### 18. Requirements

**Forsyth County Fire Department** Need to see roadways, roadway widths, fire hydrant locations, entrances into the development, remoteness between same.  
Anthony Stewart  
336-703-2562  
[stewaraj@forsyth.cc](mailto:stewaraj@forsyth.cc)  
9/9/20 8:57 AM  
01.03) Rezoning-  
Special Use District - 2

## Inspections

### General Issues

#### 24. Zoning

**City of Winston-Salem** -A grading plan will be required.  
Jeff Hunter -Label lot dimensions and square footages per UDO standards for the zoning district.  
336-727-2626 -Label the mail kiosk location.  
[jeffph@cityofws.org](mailto:jeffph@cityofws.org) -Any signage requires additional permits.  
9/14/20 4:15 PM  
01.03) Rezoning-  
Special Use District - 2

## MapForsyth Addressing Team

### General Issues

#### 19. Addressing & Street Naming

**Forsyth County Government** Road names approve are Rumbling Lake Ln, Water Branch Dr, Glistening Stream Ct, Winding Brook Dr, Bass Alcove Ct and Bentridge Forest Dr is extend.  
Gloria Alford  
3367032337  
[alfordgd@forsyth.cc](mailto:alfordgd@forsyth.cc)  
9/9/20 1:56 PM  
01.03) Rezoning-  
Special Use District - 2

## NCDOT

### General Issues

#### 23. NCDOT Comments



[NCDOT Division 9](#)  
Victoria Kildea  
336-747-7900  
[vrkildea@ncdot.gov](mailto:vrkildea@ncdot.gov)  
9/14/20 11:08 AM  
01.03) Rezoning-  
Special Use District - 2

- A subdivision review would be required if the interior roads in Forsyth County are slated to become state maintained. This review would be performed by the Division 9/District 2 Office.
- Driveway permit would be required through the NCDOT Division 7/District 2 Office. In addition, an encroachment agreement would be required for any utility ties within the right of way. Bobby Norris, PE is the District Engineer in Division 7.

## Planning

### General Issues

#### 15. Historic Resources

[City of Winston-Salem](#) No comments  
Heather Bratland  
336-727-8000  
[heatherb@cityofws.org](mailto:heatherb@cityofws.org)  
9/8/20 8:10 AM  
01.03) Rezoning-  
Special Use District - 2

### Lakeside Preliminary Site 2020-09-01.pdf [1 redline] (Page 2)

#### 25. Text Box B

[City of Winston-Salem](#) All lots need dimensions and SF calculations.  
Bryan Wilson  
336-747-7042  
[bryandw@cityofws.org](mailto:bryandw@cityofws.org)  
9/16/20 8:05 AM  
01.03) Rezoning-  
Special Use District - 2

## Utilities

### General Issues

#### 14. General Comment

[City of Winston-Salem](#) WS/FC public utilities are not currently available for this site.  
Charles Jones  
336-727-8000  
[charlesj@cityofws.org](mailto:charlesj@cityofws.org)  
9/4/20 6:36 AM  
01.03) Rezoning-  
Special Use District - 2

## WSDOT

### General Issues

#### 22. General Comments

City of Winston-Salem

David Avalos

336-727-8000

[davida@cityofws.org](mailto:davida@cityofws.org)

9/10/20 1:54 PM

01.03) Rezoning-  
Special Use District - 2

- Curb and gutter and sidewalk on one side is required on all interior streets.

## Tarra Jolly

---

**Subject:** Mailing list for F-1597

**From:** Greg Garrett <braxtonreanddev@gmail.com>

**Sent:** Wednesday, September 30, 2020 6:03 PM

**To:** Gary Roberts <garyr@cityofws.org>

**Cc:** Beth A. Broom <bethb@cityofws.org>; Tarra Jolly <tarraj@cityofws.org>; Ronnie Parker Junior <ronnie@rsparkerhomes.com>; Ronnie Parker <ronniesr@rsparkerhomes.com>

**Subject:** [EXTERNAL] Re: Mailing list for F-1597

Good Afternoon! Thank you for sending your notification list. Over the past several weeks I have spent a lot of time out at the subject site and have had the opportunity to meet many of the neighbors to the proposed project. Normally, I would hold a neighborhood meeting to inform the neighbors and hear their concerns, but COVID has prevented me from conducting those meetings. Instead my outreach has consisted of the following:

1. Outdoor encounters on the nearby roads (Bentridge Forest Drive and Van Hoy Road) and word of mouth contact and passing along my information.
2. One on One Meetings with concerned neighbors.
3. Phone calls and or voicemails to every adjoining property owner that I did not have contact with in the previous two methods.

I feel that for the most part the neighborhood is accepting of the change that will take place with the proposed rezoning and future development and are comforted by the following: 1. Additional infrastructure to the area, specifically public water and high speed internet. 2. The proposed home values for the proposed project. And 3. Entrance on Happy Hill Road. There were a few concerns about lot sizes and traffic but generally the RS-40 seems to be readily accepted.

Please let me know if you have any questions or concerns about my outreach to the community. I believe it to be thorough and effective and would be surprised if there was much opposition to the rezoning after my efforts to be a good neighbor.

Sincerely,

Greg Garrett  
(336) 399-7197

On Wed, Sep 30, 2020 at 2:17 PM Gary Roberts <[garyr@cityofws.org](mailto:garyr@cityofws.org)> wrote:

Beth or Tarra,  
Would you please send the mailing list to Greg at the address above?  
Thank you,  
Gary

City of Winston-Salem  
ONE TEAM  
Committed to Excellence

All e-mails including attachments sent to and from this address are subject to being released to the media and the public in accordance with the North Carolina Public Records Law.

**Tarra Jolly**

---

**Subject:** FW: Opposition to F-1597

---

**From:** CHRISTINE RYALS <[bluedeviduke@msn.com](mailto:bluedeviduke@msn.com)>

**Sent:** Wednesday, September 30, 2020 3:39 PM

**To:** Gary Roberts <[garyr@cityofws.org](mailto:garyr@cityofws.org)>

**Cc:** CHRISTINE RYALS <[bluedeviduke@msn.com](mailto:bluedeviduke@msn.com)>

**Subject:** [EXTERNAL] Case F-1597

Dear Gary,

Thanks so much for taking the time to speak with us addressing some of the concerns we have with the proposed development.

There is always going to be change, it's inevitable. We are respectfully requesting additional thought be put into this project before a final approval is given.

I've taken the time to compose a single list of concerns from the neighbors as suggested for you to share with the committee. I will also share with Guilford County, Stokesdale and Greg Garrett. There are only 3 items on the list for consideration.

\*Lot size – this is a rural area. By definition of rural, lot sizes are larger than in subdivisions. Look at the lot sizes of homes at the crossroads of Happy Hill, Benefit Church, Goodwill Church some of the roads closest to this location. We believe Forsyth County should not allow the additional reduction in any lot size as requested from 150' to 100'. Keep it as it is written to stay 150' min.

\*Traffic – it appears more of the traffic will be using Van Hoy Road to BentRidge Forrest vs. Happy Hill.

- What additional steps are being put into place to accommodate this additional traffic? Consider 75 homes perhaps 2 drivers per home possibly?
- There is a working cattle farm on Van Hoy Road with horses, bulls, cows etc. This farm "Little Hats Ranch" does a lot of good work for disabled children. Many events are held at the farm, some of which will include horses walking in the streets. This farm was purchased and set up strictly because of the rural area location. Has been in place for many years. Is it possible to consider several speed bumps on Van Hoy to ensure safety for all? Posting a reduced speed limit will not guarantee slower traffic. If speed bumps are in place, this might direct more traffic to use the Happy Hill Road entrance.

\*Water – the notice says "each" home will have their own well.

- Has there been any study to show how much water there is on this development site?
- Is there enough to satisfy all these homes?
- Are there varying pockets of water to try to guide each building site on which pocket they should drill to and use to avoid any well going dry? Example: some 475' deep others 625' deep
- What recourse do we have if our wells start to dry up?
  - We can't assume there will always be a solid supply of water. We don't know how many people will be in each home or their particular usage.
  - During drought times, the water pressure is less as it is now
  - Belews water level has drop several feet during a drought allowing us to walk around the lake "IN" the lake!

The neighbors are not against change or the subdivision. Two of the three concerns we have offered solutions for which is a win for both sides if given consideration by the committee for further exploration.

Please let me know if you have any questions.

Again, thank you for your time.

*Christine Ryals*  
336-314-7248 (mobile)

"The Key to Your Future"

*\*\*\*This email and any files transmitted with it are confidential and intended solely for the use of the individual or entity to whom they are addressed.?? If you have received this email in error please notify me immediately.?? This message may contain confidential information and is intended only for the individual named.?? If you are not the named addressee you should not disseminate, distribute or copy this email.?? If you are not the intended recipient you are notified that disclosing, copying, distributing or taking any action in reliance on the contents of this information is strictly prohibited.\*\*\**

F1597(S)  
LEIGHT E M  
5017 KNOB VIEW TRL  
WINSTON SALEM NC27104

F1597(N)  
FAGG VIVIAN  
8756 VAN HOY RD  
KERNERSVILLE NC27284

F1597(N)  
NEEDHAM LINDA NICKS  
NEEDHAM SCOTT MILES  
PO BOX 4  
PILOT MOUNTAIN NC27041

F1597(N)  
REYNOLDS JERRY D  
REYNOLDS JOANN ANN  
PO BOX 42  
PLEASANT GARDEN NC27313

F1597(N)  
WAITE NELSON R  
WAITE BARBARA O  
8784 VAN HOY RD  
KERNERSVILLE NC27284

F1597(N)  
DEVEREAUX AMY J  
DEVEREAUX MARK D  
3800 FIRESTONE RD  
KERNERSVILLE NC27284

F1597(N)  
HALE JOY T  
8787 VAN HOY RD  
KERNERSVILLE NC27284

F1597(N)  
NORMAN BILL F  
NORMAN LAURA A  
8769 VAN HOY RD  
KERNERSVILLE NC27284

F1597(N)  
REYNOLDS WILLIAM DONAVON  
PO BOX 42  
PLEASANT GARDEN NC27313

F1597(N)  
DUKE POWER CO  
422 S CHURCH ST  
CHARLOTTE NC28202

F1597(N)  
MURRAY DOUGLAS C  
MURRAY MAUREEN DEMAREST  
3505 GRAMERCY RD  
GREENSBORO NC27410

F1597(N)  
R&E PIERCE FAMILY LLC  
3800 FIRESTONE RD  
KERNERSVILLE NC27284

F1597(N)  
RYALS CHRISTINE E  
8788 VAN HOY RD  
KERNERSVILLE NC27284

F1597(N)  
DUKE POWER CO TAX DEPT-PB05B  
422 S CHURCH ST  
CHARLOTTENC28242

F1597(N)  
LULA MAE MARTIN HEIRS  
PO BOX 37913  
JACKSONVILLEFL32236

F1597(N)  
MERCADO, PAULISHA YVETTE  
5203 WEEPING CHERRY DR  
BROWNS SUMMITNC27214

F1597(N)  
MEYLOR, ADAM D  
205 N CHERRY ST  
KERNERSVILLENC27284

F1597(N)  
MITCHCO INC  
1111 S MARASHALL ST UJIT 172  
WINSTON SALEMNC27101

F1597(N)  
MITCHELL, LESLIE R  
7024 SMOKERISE LN  
KERNERSVILLENC27284

F1597(N)  
MITCHELL, LESLIE R  
1 PARK VISTA LN STE 210  
WINSTON SALEMNC27101

F1597(N)  
PENTZ, JOHN M;PENTZ, MARY  
5698 WOLF RIDGE CT  
OAK RIDGENC27310

F1597(N)  
SAVOY, SAMUEL DAVID;SAVOY, STEPHANIE  
PALMISANO  
7513 BENTRIDGE FOREST DR  
KERNERSVILLENC27284

F1597(N)  
SCHMID, LEEANNE MARIE;SCHMID,  
WILLIAM BRIAN  
7512 BENTRIDGE FOREST DR  
KERNERSVILLENC27284

F1597(N)  
STAUFFER, AMANDA  
7577 HAPPY HILL RD  
KERNERSVILLENC27284

F1597(N)  
WATKINS, DARRELL L;MOORE, DEBRA J  
7575 HAPPY HILL RD  
KERNERSVILLENC27284

F1597(N)  
WESTALL, ROBERT T;WESTALL, MELISSA T  
3308 MILL SPRING CT  
GREENSBORONC27410



(For publication in the WS Journal Legal Section on  
November 20 & 27, 2020)

### NOTICE OF PUBLIC HEARING

NOTICE is hereby given that the Board of Commissioners will hold a public hearing on Thursday, December 3, 2020. The public hearing will be conducted remotely, as allowed by the Board's Remote Participation Policy during this state of emergency.

1. Public Hearing on zoning petition of E.M. Leight Heirs from AG to RS40-S (Residential Building, Single Family and Planned Residential Development): property is located on the east side of Belews Lake and north of Van Hoy Road; property consists of ± 97.01 acres and is a portion of PIN 6990-30-1268 as shown on the Forsyth County Tax maps and on a site plan on file in the office of the City-County Planning Board (Zoning Docket F-1597)

There will be no meeting place where members of the public can be physically present. The Meeting will be broadcast live at 2:00 p.m. on local cable channel WSTV 13-The Government Channel, [http://winston-salem.granicus.com/MediaPlayer.php?publish\\_id=29](http://winston-salem.granicus.com/MediaPlayer.php?publish_id=29) and <https://vimeo.com/forsythcountync>.

All persons interested in the proposed amendments are invited by the Board of Commissioners to present their views. If you wish to submit a written comment, please email to [sloopam@forsyth.cc](mailto:sloopam@forsyth.cc) by Friday, December 4, 2020.

FORSYTH COUNTY BOARD OF COMMISSIONERS  
Ashleigh M. Sloop, Clerk to the Board